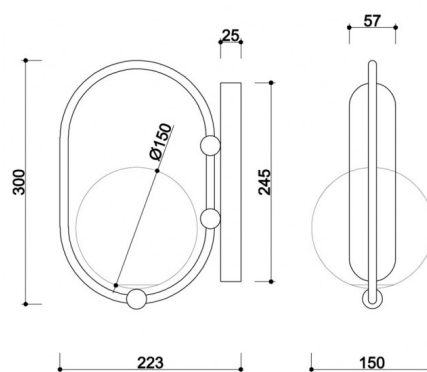




KOBAN D black wall lamp / sconce

<https://ummo-lighting.com/en/koban/1462-koban-d-black-wall-lamp-sconce-5906733722699.html>



Price: **699,00 zł** gross

Reduction: -154,00 zł net

Old price: 899,00 zł gross

Manufacturer: **UMMO Lighting**

Product code: **KOD12000**

EAN: **5906733722699**

Description

Design description

KOBAN D is a wall lamp from the KOBAN collection, which combines the functionality of a wall lamp with a refined, minimalist form. Its design is based on a simple, graphic juxtaposition of a metal frame with a spherical lampshade made of milky white glass with a diameter of 15 cm. The matte glass subtly diffuses the light, providing pleasant and non-glare illumination.

Its form is related to the entire KOBAN collection, drawing inspiration from children's freedom, flexibility and playful movement. KOBAN D will prove itself both as a single lighting accent and in compositions with other luminaires from the series - introducing calm, luminous geometry into the interior.

Lamp components and functionality

The lamp is made of metal and glass. The metal frame and wall bezel have a matte, structured finish, which emphasizes the modern yet timeless character of the luminaire. The glass lampshade with a diameter of 15 cm is made of milky white glass, providing soft, diffused light.

Inside there is a holder for a G9 type light source (LED, maximum 12W). The lamp is 22.3 cm long, 15 cm wide and 30 cm high. It is designed for wall mounting - for example, by the bed, over the mirror, in the hallway or corridors.

Application and variants of IP20 / IP44 protection.

KOBAN D comes in two variants of tightness:

- **IP20** - for dry interiors, such as bedrooms, living rooms, corridors,
- **IP44** - for rooms with higher humidity, including bathrooms or kitchens.

This makes the lamp suitable for both living spaces and more demanding areas, such as hotel bathrooms, wellness areas or modern kitchens.

Model D is part of the extensive KOBAN collection, which also includes pendant lamps (KOBAN A, B and C), a second wall lamp model (KOBAN E) and a table lamp (KOBAN ST). This is a visually coherent series of lighting, allowing harmonious arrangement of entire interiors in one aesthetic.

Handmade and unique character

Each KOBAN D lamp is created in a hand-assembly process with attention to detail, quality and finish. It is a unique proposition for those who seek not only functionality in everyday objects, but also subtle uniqueness. Handmade production makes each frame unique - consistent with the aesthetics of the entire collection, yet refined to the smallest detail.

KOBAN D - key features

- Spherical, milky-white glass lampshade with a diameter of 15 cm - soft and even light.
- Metal frame and bezel - matte powder-coated finish.
- Wall mounting - ideal as a mood light or auxiliary light.
- Light source: G9 (LED, max 12W).
- Dimensions: length 22,3 cm, width 15 cm, height 30 cm.
- Available in two colors: black RAL 9005 and white RAL 9003.
- Protection variants: IP20 and IP44 - for dry and high humidity interiors.
- Part of the KOBAN collection - a possibility to create a coherent lighting set.

Technical information

Light source included	None
Screw type	G9 LED
Max wattage	1 x 12W
IP degree	IP20
Length	22.3cm
Width	15cm
Height	30cm

Length of the ceiling slat	24.5cm x 5.7cm
Made of	metal / glass
Colour	black (Jet Black RAL 9005)
Lampshade color	white
Diameter of the lampshade	15cm
Warranty	24 months
Comments	custom-made product
Type / function	wall lamp, sconce
Power supply	~230V, 50/60 Hz

Other finishes

