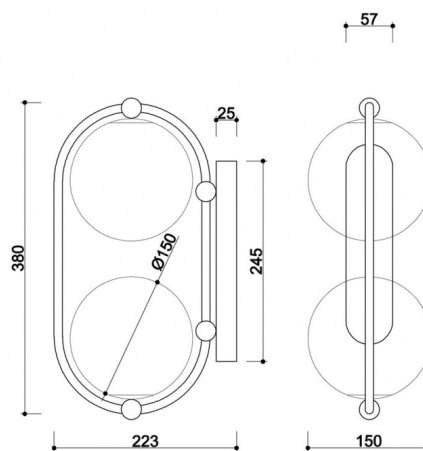




KOBAN E black wall lamp / sconce IP44

<https://ummo-lighting.com/en/koban/7368-koban-e-black-wall-lamp-sconce-ip44-5906733721920.html>



Price: **849,00 zł** gross

Reduction: -154,00 zł net

Old price: 1 049,00 zł gross

Manufacturer: **UMMO Lighting**

Product code: **KOE120S0**

EAN: **5906733721920**

Description

Design description

KOBAN E is a wall-mounted light fixture from the KOBAN collection, which develops the tenets of minimalist design into a more expressive form. The lamp features two spherical milk-white glass shades, arranged vertically in a way that gives the whole an elegant symmetry and optical balance. Each of the lampshades has a diameter of 15 cm and gently diffuses light, creating a pleasant, atmospheric atmosphere.

KOBAN E is inspired by childlike freedom and playfulness of form - its design is a translation of this energy into the language of light. Thanks to its compact but dual design, this wall lamp attracts attention without dominating the space. It is a luminaire ideal for modern, tranquil arrangements, where light plays both a utilitarian and decorative role.

Lamp components and functionality

The lamp is made of metal and glass. Its frame and wall bezel are covered with matte structured powder paint, which emphasizes its modern and durable character. Two milky-white glass shades with a diameter of 15 cm emit soft, even light. Inside there are two G9 fixtures, suitable for LED sources of up to 12W each.

The dimensions of the lamp are: length 22.3 cm, width 15 cm, height 38 cm. KOBAN E will be great as a wall light - for example, next to beds, mirrors, in entrance areas or as decorative accent lighting.

Application and protection class IP20 / IP44

The lamp is available in two waterproofing options:

- **IP20** - for dry, domestic spaces,
- **IP44** - for interiors with higher humidity, such as bathrooms or kitchens.

This makes the lamp perfect for both residential and commercial spaces, where form, durability and safety of use matter.

KOBAN E is part of a larger family of fixtures that also includes the KOBAN D wall lamp, KOBAN A, B and C pendant lamps and the KOBAN ST table lamp. Together, they form a cohesive set of lighting that allows entire interiors to be arranged in a harmonious aesthetic.

Handcrafted and unique character

Like all lamps in the KOBAN collection, the E model is created through a process of hand assembly and finishing, which gives it an individual, refined character. It is an offer for those who appreciate not only minimalist beauty, but also durability, quality workmanship and uniqueness of each piece.

KOBAN E - key features

- Two spherical milk-white glass lampshades (Ø15 cm) - a source of soft, diffused light.
- Metal frame and bezel - powder-coated in matte texture.
- Light source: 2x G9 (LED, max 2x12W).
- Dimensions: length 22.3 cm, width 15 cm, height 38 cm.
- Available in two color variants: white RAL 9003 and black RAL 9005.
- Waterproofing variants: IP20 and IP44 - for different usage conditions.
- Handmade - individual attention to detail and quality.
- Part of the KOBAN collection - aesthetic consistency in the lighting arrangement of the entire interior.

Technical information

Light source included	None
Screw type	G9 LED
Max wattage	2 x 12W
IP degree	IP44
Length	22.3cm
Width	15cm

Height	38cm
Length of the ceiling slot	24.5cm x 5.7cm
Made of	metal / glass
Colour	black (Jet Black RAL 9005)
Lampshade color	white
Warranty	24 months
Comments	custom-made product
Type / function	wall lamp, sconce
Power supply	~230V, 50/60 Hz

Other finishes

